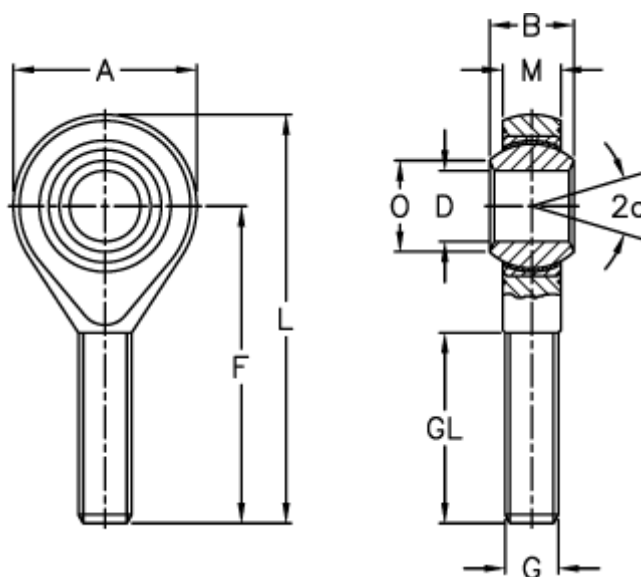


Article number: 03021022

Description: Fluro Rod End GARSW 22-R
Housing and ball in stainless steel

Measures



A	= 54	L	= 111
a (degrees)	= 15	M	= 20
B	= 28	O	= 25.8
D	= 22	Permissible rpm	= 170
Dynamic load C (kN)	= 97	Static load C0 (kN)	= 100
F	= 84	Weight (g)	= 443
g	= M22x1,5		
GL	= 51		